

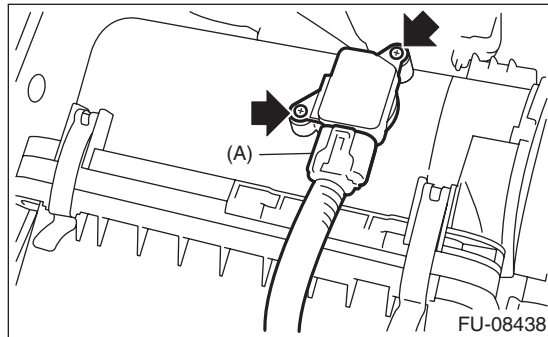
# Mass Air Flow and Intake Air Temperature Sensor

## FUEL INJECTION (FUEL SYSTEMS)

### 9. Mass Air Flow and Intake Air Temperature Sensor

#### A: REMOVAL

- 1) Disconnect the ground cable from battery.
- 2) Disconnect the connector (A) from the mass air flow and intake air temperature sensor, and remove the mass air flow and intake air temperature sensor.



#### B: INSTALLATION

Install in the reverse order of removal.

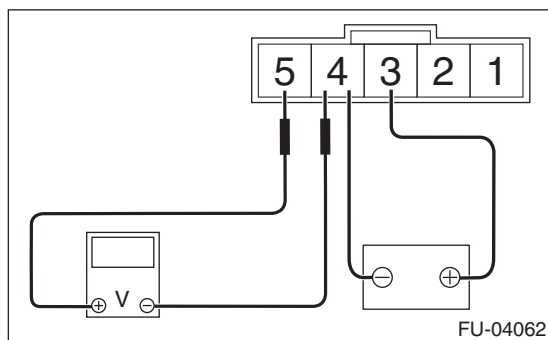
#### Tightening torque:

1 N·m (0.1 kgf·m, 0.7 ft·lb)

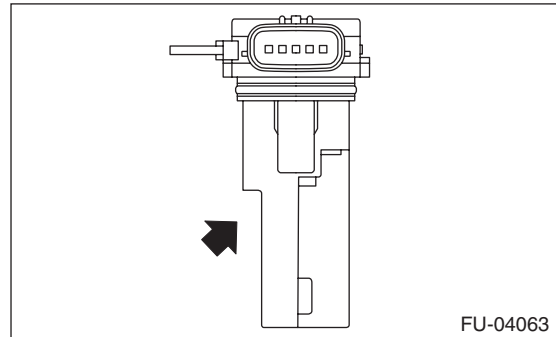
#### C: INSPECTION

##### 1. CHECK THE MASS AIR FLOW SENSOR UNIT

- 1) Connect the battery positive terminal to terminal No. 3 and the battery ground terminal to terminal No. 4, the circuit tester positive terminal to terminal No. 5 and the circuit tester ground terminal to terminal No. 4.

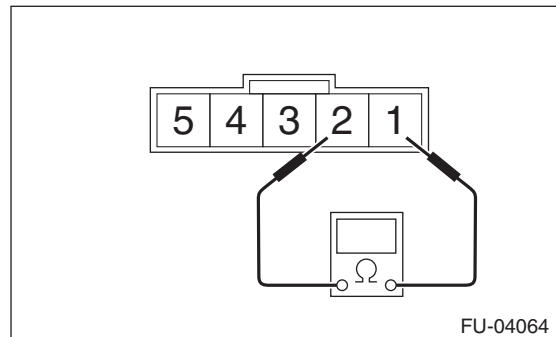


- 2) Check the voltage changes when air is blown to the mass air flow sensor unit in arrow direction.



##### 2. CHECK THE INTAKE AIR TEMPERATURE SENSOR UNIT

Measure the resistance between intake air temperature sensor terminals.



Temperature	Terminal No.	Standard
-20°C (-4°F)	1 and 2	16.0±2.4 kΩ
20°C (68°F)		2.45±0.24 kΩ
60°C (140°F)		0.580±0.087 kΩ

##### 3. OTHER INSPECTIONS

- 1) Check that the mass air flow and intake air temperature sensor has no deformation, cracks or other damages.
- 2) Check that the mass air flow and intake air temperature sensor has no dirt.